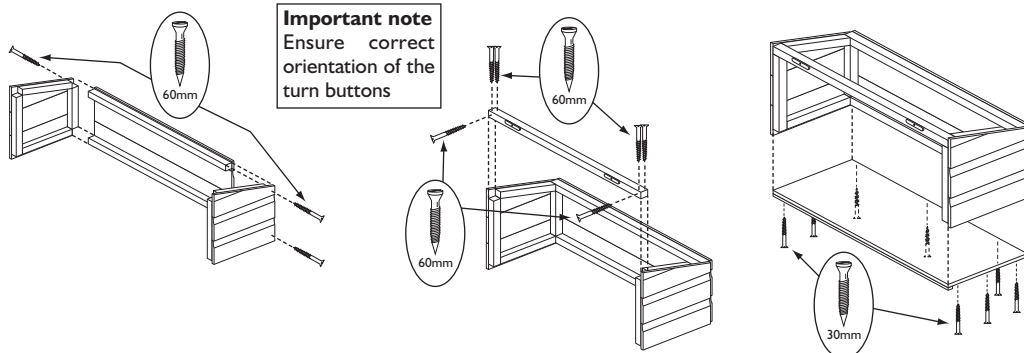


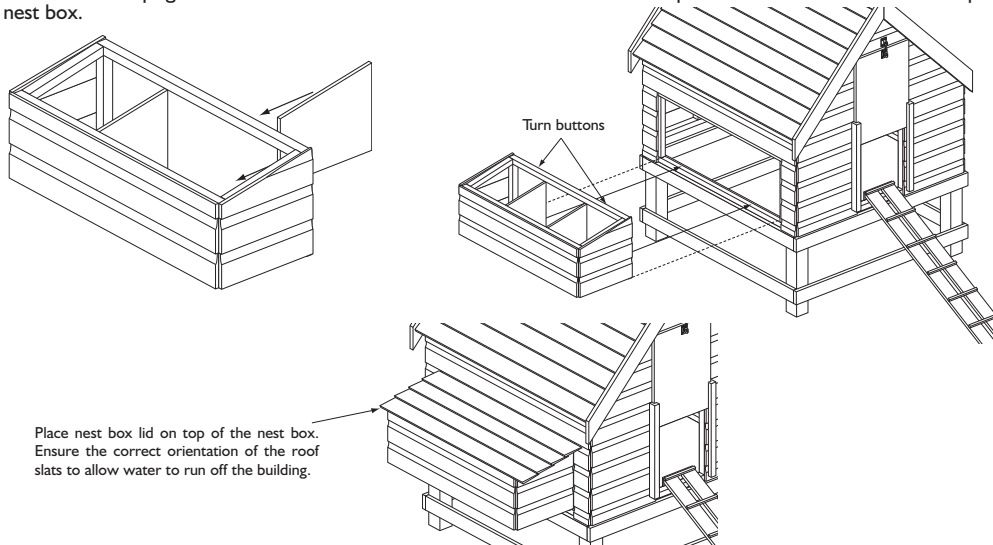
6. Nest box

Align the back and side panels of the nest box and secure using 4 x 60mm screws. Position the top bar as shown in the diagram, ensure the turn buttons are facing out from the nest box. Secure the top bar using 6 x 60mm screws as shown. Attach the nest box floor to the bottom of the wall panels using 8 x 30mm screws.



7. Fitting the nest box

Slide the nest box dividers into the slots in the box. Hook the bottom of the nest box over the frame of the side panel pivot the nest box upright and reach inside to turn the turn buttons that hold it in place. Place the nest box lid on top of the nest box.



Important information

As timber is a natural material, there are certain weather conditions that may affect the materials properties. In times of excessive dry spells the material may lose some of its internal moisture causing a certain degree of shrinkage on a panel and in periods of excessive rain there will be a certain amount of swelling throughout the wooden panels. This process can not be avoided. If you have problems with certain boards shrinking in dry spells try to decrease the amount of direct sunlight on the building or the amount of air passing over the building. During hot spells spray water directly onto the panels with the aid of a garden hose.

If in doubt of any aspect regarding the assembly, use or safety of your building please contact us:

Help Line (Normal Office Hours) 01829 261 121

ROWLINSON GARDEN PRODUCTS LIMITED
Green Lane
Wardle Nr. Nantwich
Cheshire
CW5 6BN

We constantly improve the quality of our products, occasionally the components may differ from the components shown and are only correct at time of printing. We reserve the right to change the specification of our products without prior notice.

2011 © Rowlinson Garden Products Ltd

Large Chicken Coop

English SS217D

Assembly Instructions

Before assembly

- We recommend that time is taken to read the instructions before starting assembly, then follow the easy step by step guide. The instruction sheet is only a guide to the assembly. Certain items may not be shown to scale.
- Check all components prior to assembly
- This product should be assembled by no less than two people
- Drill all components where indicated

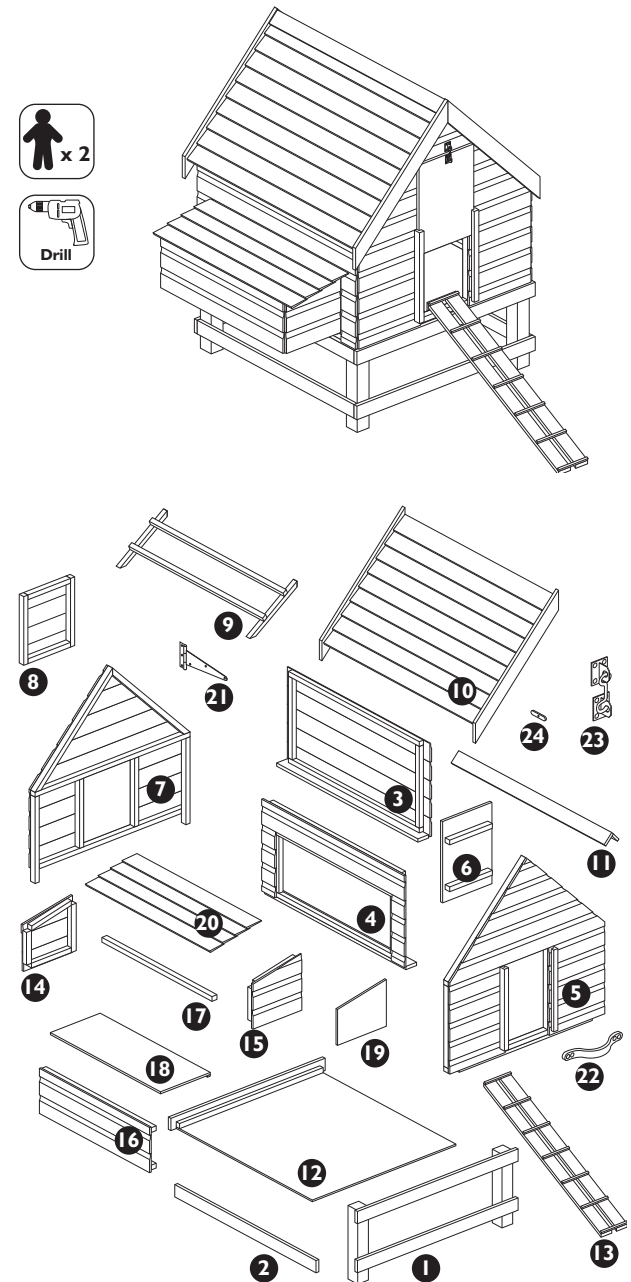


Recommended tools for assembly

- Cross head screw driver
- Drill
- 2mm drill bit

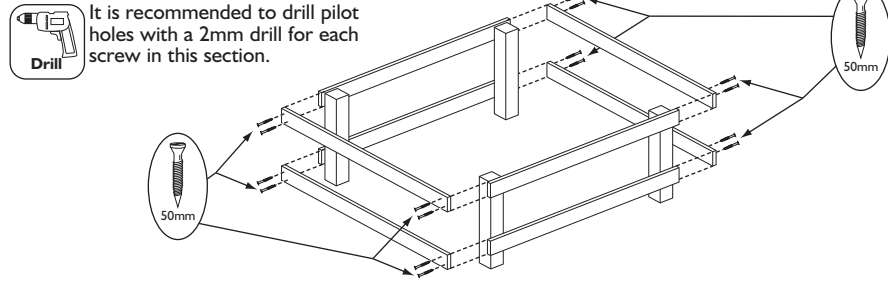
No.	Components	Qty.
1	Front/back base frame	2
2	Side base frame (75x20x1090mm)	4
3	Plain side panel	1
4	Nest box side panel	1
5	Front apex panel (sliding door)	1
6	Front door	1
7	Back apex panel (hinged door)	1
8	Back door	1
9	Perch	1
10	Roof panel	2
11	Roof ridge	1
12	Floor	1
13	Ramp	1
14	Nest box left side panel	1
15	Nest box right side panel	1
16	Nest box back panel	1
17	Nest box top bar	1
18	Nest box floor	1
19	Nest box dividers	2
20	Nest box lid	1

No.	Fixing kit	Qty.
21	Hinges	2
22	Handles	3
23	Hook & eye	1
24	Turn buttons	3
25	80mm screws	8
26	60mm screws	10
27	50mm screws	32
28	30mm screws	8
29	25mm screws	27
30	12mm screws	8



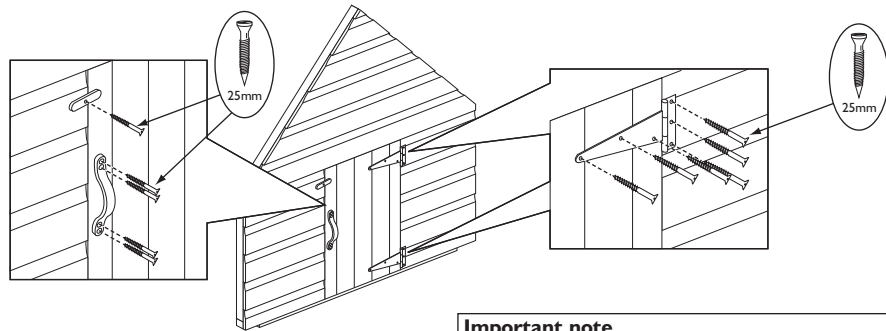
1. Base

Connect the front and back base frames together using the four side frames. Secure each end of the side frames to the legs using 2 x 50mm screws at the end of each side frame.



2. Wall panels

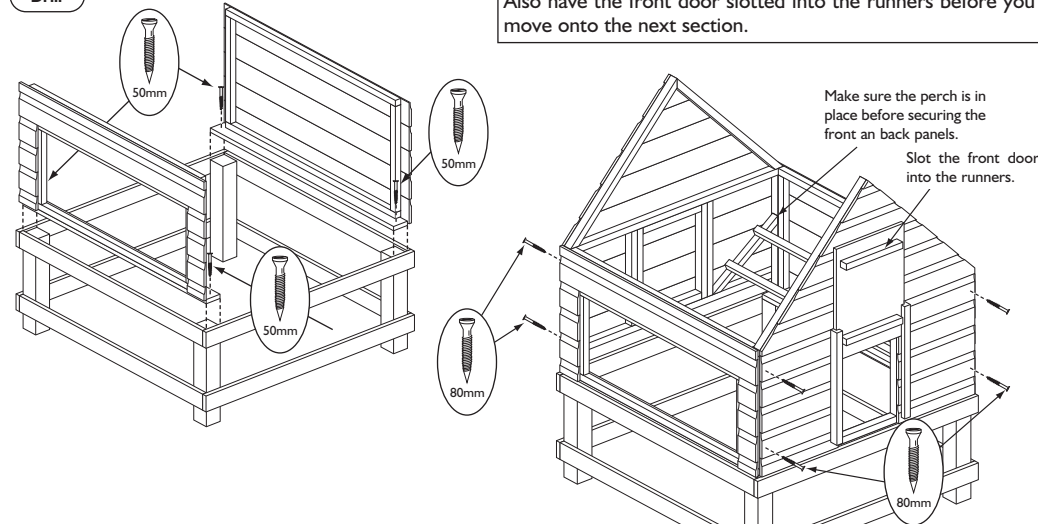
Position the back door in the opening of the back panel. Fix each hinge to the panel and door using 6 x 25mm screws. Attach the handle to the door using 4 x 25mm screws and the turn button to the panel using 1 x 25mm screw. Place the side panels onto the base and secure down at each corner using 1 x 50mm screw. Position the front and back panels between the side panels and secure through the front and back panels with 2 x 80mm screws per corner. Slot the front door into the runners on the front of the front panel.



Important note

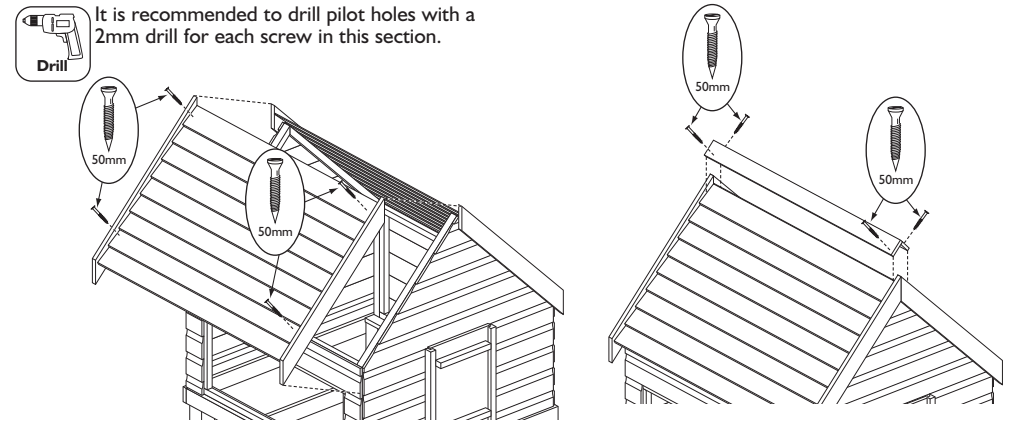
As you attach the front and back panels have the perch in place resting on top of the bottom frames of the front and back panels. Also have the front door slotted into the runners before you move onto the next section.

It is recommended to drill pilot holes with a 2mm drill for each of the 80mm and 50mm screws in this section.



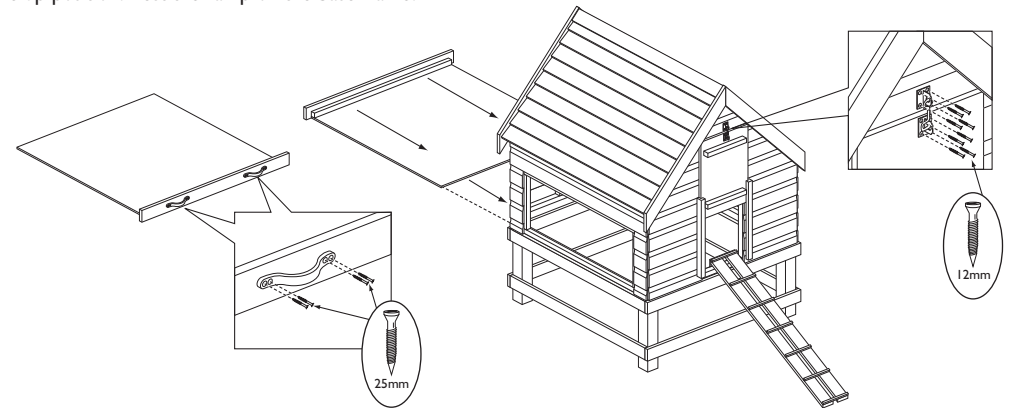
3. Roof

Place a roof panel on each side of the building and secure down using 4 x 50mm screws per roof panel. With both panels in place, position the roof ridge on top of the panels and secure down using 4 x 60mm screws.



4. Floor and ramp

Fix two handles to the front edge of the floor using 4 x 25mm screws per handle. At the back of the coop, slide the floor in the opening under the door. Position the hook on the front panel and the eye on the door, secure each part using 4 x 12mm screws, ensuring that when the two parts are screwed on, the hook is able to fit into the eye to hold the door in the up position. Rest the ramp on the base frame.



5. Nest box turn buttons

Fit two turn buttons to the nest box top bar. Position the turn buttons approximately 70mm from each end and flush to the top edge. Secure each one in place using 1 x 25mm screws.

